

One Stop Solid Waste Expert

QJB SUBMERSIBLE MIXER

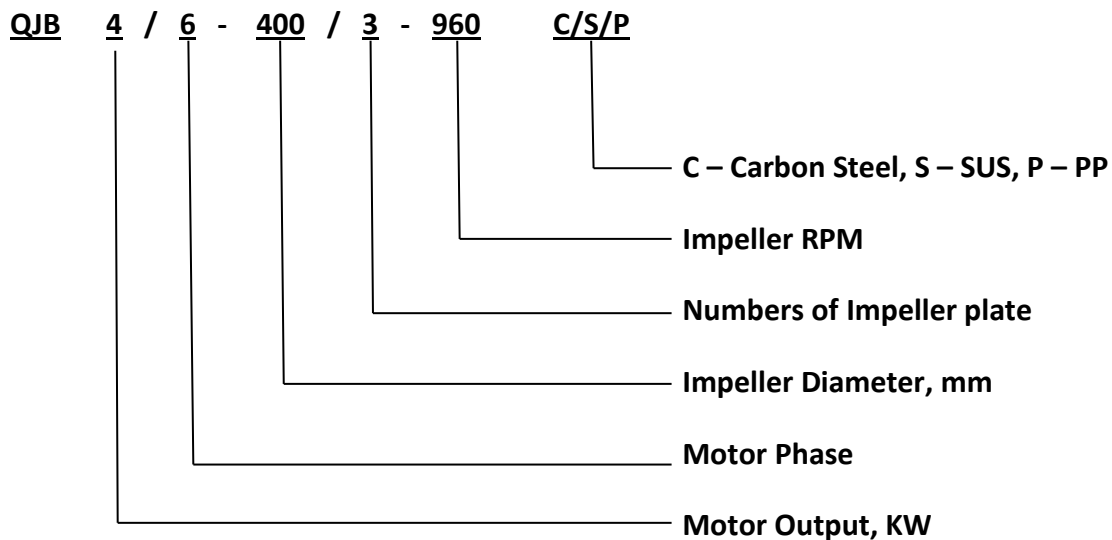
The Application

QJB mixer provides the most efficient mixing power and cost effective, especially for biological treatment pond, sludge holding pond etc.

Application Conditions

- Media temperature below 40 Deg. C
- Media PH value between 5~9
- Liquid density below 1150 kg/m³
- Depth of application not more than 20 mtr.

Model Indicator



Cautions: -

Mixer must be completely submersed into water during operation.

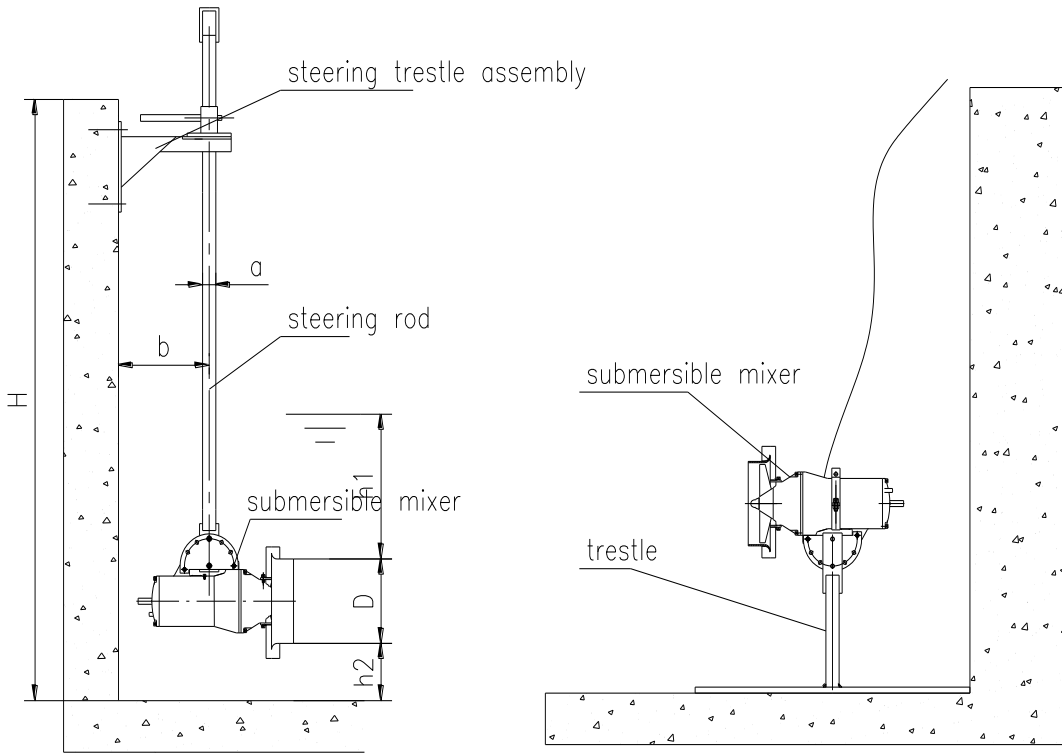
One Stop Solid Waste Expert

Model & Specifications

Model	Output, Kw	Amp	Dia., mm	RPM	Thrust, N	Weight, Kg
QJB 0.85/8-260/3-740C	0.85	3.2	260	740	165	65
QJB 1.5/6-260/3-980C	1.50	4	260	980	300	65
QJB 2.2/8-320/3-740C	2.20	5.9	320	740	320	70
QJB 4/6-320/3-960C	4.00	10.3	320	960	610	70
QJB 5.5/8-640/3-232C	5.50	13.5	640	232	1200	184
QJB 7.5/6-640/3-303C	7.50	17.5	640	303	2400	229
QJB 11/6-790/3-303C	11.0	25.4	790	303	3500	389
QJB 15/6-790/3-368C	15.0	34.5	790	368	4000	389
QJB 1.5/8-400/3-740S	1.50	5.4	400	740	600	70
QJB 2.5/8-400/3-740S	2.50	9	400	740	800	70
QJB 4/12-620/3-480S	4.00	14	620	480	1400	184
QJB 4/6-400/3-980S	4.00	12	400	980	1200	73
QJB 5/12-620/3-480S	5.00	18.2	620	480	1800	184
QJB 7.5/12-620/3-480S	7.50	27	620	480	2600	229
QJB 10/12-620/3-480S	10.0	32	620	480	3300	229

QJB Mixer

1. Compact design, easy operate and maintenance, durable.
2. Impeller special profile design make it operate at optimum efficiency together with self-cleaning ability.
3. Best performance could be obtained when apply together with aerator.
4. Motor winding at Class F insulation to the standard of IP68.
5. High quality mechanical seal to ensure motor being well protected.



Installation System I-1 (For recommend)

Installation System I-2 (mobil)

